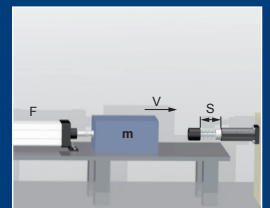


Rotary Dampers

WRD 62



ONLINE
Calculation and
2D / 3D CAD Download



Benefits

Applications:

- Mechanical and plant engineering
- Vendingmachines, Counters
- Car industry and sanitary industry

Material:

- Plastic and Alu die cast

Temperature:

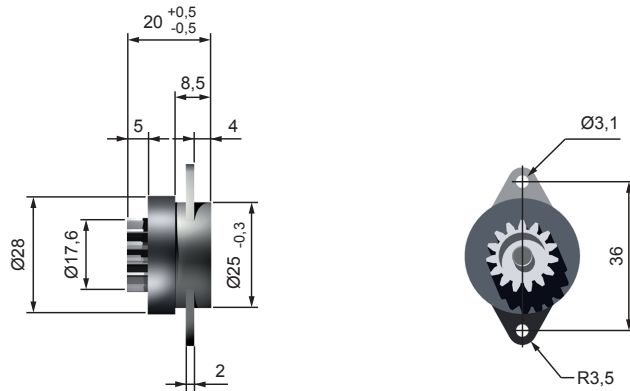
- Standard: -5°C - +50°C

Damping:

- Controlled deceleration of rotary motion
- Torque up to 0,25 Nm
- clockwise or anti-clockwise

RoHS-compliant:

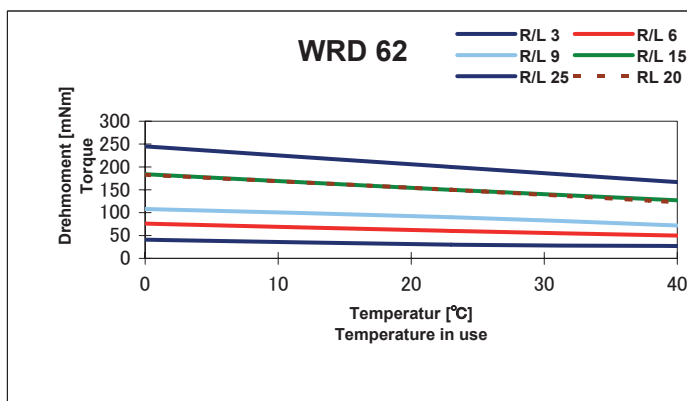
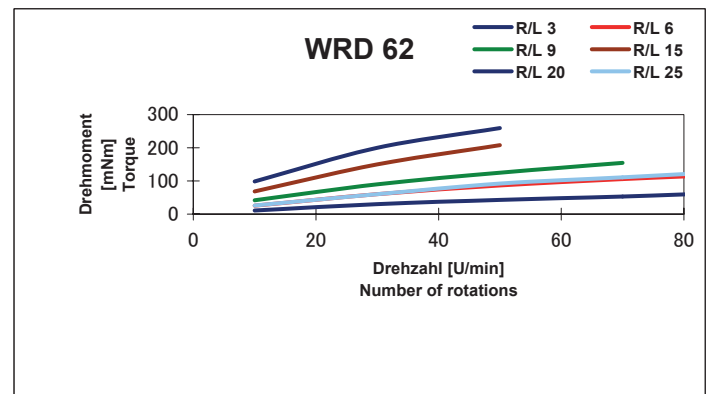
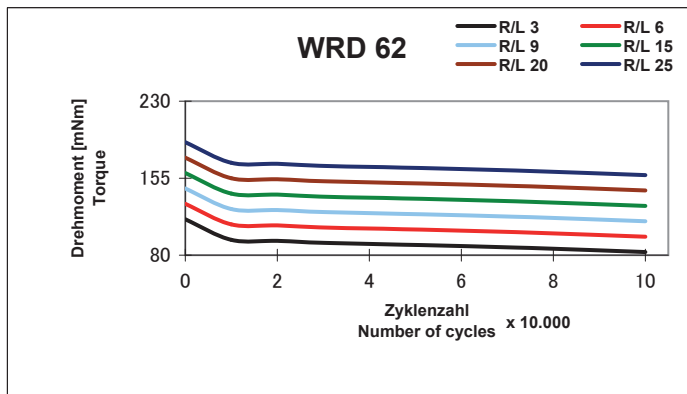
- Directive 2002/95/EG



* R (CW): Clockwise
 L (CCW): Anti-clockwise
 M: Torque
 Material

Standard spur gear	
Module	1
Number of gear teeth	15
Deceleration characteristics	continuously

R (CW)*	L (CCW)*	M* (Nm)	Material*
WRD 62 - R3	WRD 62 - L3	0,03	Plastic / Alu die cast
WRD 62 - R6	WRD 62 - L6	0,06	
WRD 62 - R9	WRD 62 - L9	0,09	
WRD 62 - R15	WRD 62 - L15	0,15	
WRD 62 - R20	WRD 62 - L20	0,20	
WRD 62 - R25	WRD 62 - L25	0,25	



Life time: 100.000

Test:
 Damping time: 30 U/min /r/min
 Temp: 23°C ± 2
 Radial force: 5 N

Important Information

Temperature

WRD: -5 °C - +50 °C

Reference temperature for all technical information: 20°C

At higher temperatures the energy absorption or torque is reduced.

Mount the rotary damper at the intended bores and flats. Rotary Dampers may not be statically loaded or thermally fixed.

Rotary damper can not be used with aggressive fluids.

Adjustment

If the mass in a trial run impacts excessively hard on the end position select the next model with higher torque for the series WRD 62.

If the mass don't reach the end position or the time is too long select the next model with lower torque for the series mentioned above.

Rotary dampers should under no circumstance be loaded over the damping angle mentioned in the catalogue.

We reserve the right to make changes without further notice!

Fundamentals

Rotary dampers may under no circumstances be:

-painted



-welded



-held with clamps



The products must be protected against contamination, fluids and air pressure. We offer special solutions for these applications. When rotary dampers are used parallel the size of the model and the used degree of hardness / used adjustment has to be the same. The load has to be distributed equally. When a shock absorber is used for an emergency case, an external end stop must be provided. If the absorption should be insufficient, please contact Weforma or the respective representation. You will find further technical informations to the series in our catalogue.